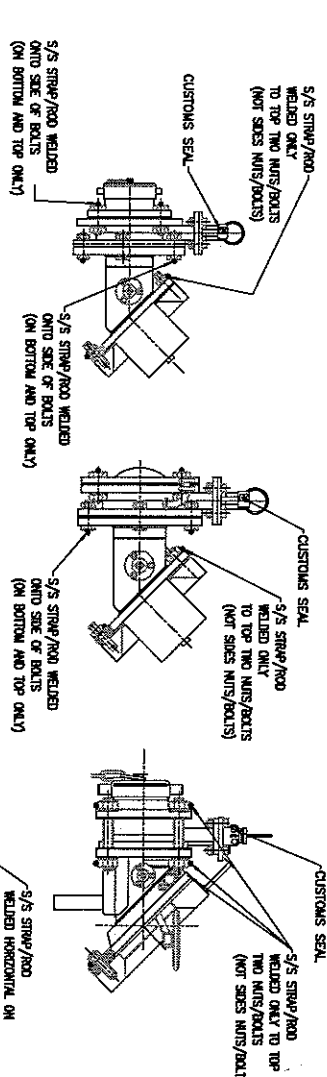
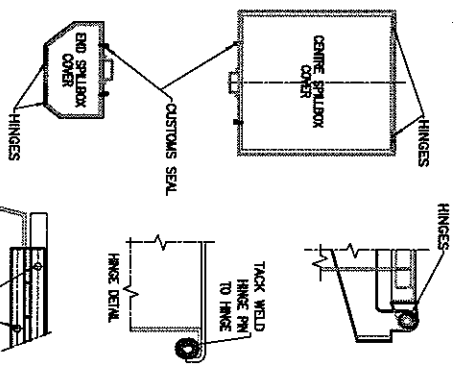
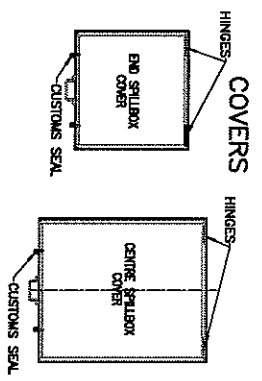


NOTE:
 WRITE POSITION AS ILLUSTRATED,
 INDEPENDENT OF VALVE ORIENTATION

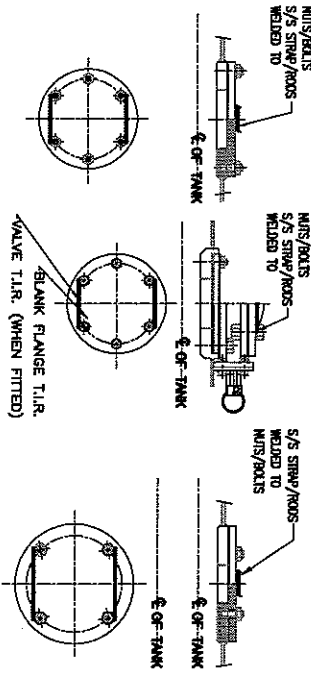
AIR INLET



BOTTOM DISCHARGE



TOP DISCH./VAPOUR OUTLET & PROVISION



REV	QTY	DATE	DESCRIPTION	BY	CHKD
1	1	10/09/2020	UNAPPROVED REPRODUCTION AND/OR USE OF THIS DRAWING AND ITS CONTENTS ARE STRICTLY PROHIBITED.		
2	1	10/09/2020	ISSUING INFO		
3	1	10/09/2020	ISSUING INFO		
4	1	10/09/2020	ISSUING INFO		
5	1	10/09/2020	ISSUING INFO		
6	1	10/09/2020	ISSUING INFO		
7	1	10/09/2020	ISSUING INFO		
8	1	10/09/2020	ISSUING INFO		
9	1	10/09/2020	ISSUING INFO		
10	1	10/09/2020	ISSUING INFO		
11	1	10/09/2020	ISSUING INFO		
12	1	10/09/2020	ISSUING INFO		
13	1	10/09/2020	ISSUING INFO		
14	1	10/09/2020	ISSUING INFO		
15	1	10/09/2020	ISSUING INFO		
16	1	10/09/2020	ISSUING INFO		
17	1	10/09/2020	ISSUING INFO		
18	1	10/09/2020	ISSUING INFO		
19	1	10/09/2020	ISSUING INFO		
20	1	10/09/2020	ISSUING INFO		
21	1	10/09/2020	ISSUING INFO		
22	1	10/09/2020	ISSUING INFO		
23	1	10/09/2020	ISSUING INFO		
24	1	10/09/2020	ISSUING INFO		
25	1	10/09/2020	ISSUING INFO		
26	1	10/09/2020	ISSUING INFO		
27	1	10/09/2020	ISSUING INFO		
28	1	10/09/2020	ISSUING INFO		
29	1	10/09/2020	ISSUING INFO		
30	1	10/09/2020	ISSUING INFO		
31	1	10/09/2020	ISSUING INFO		
32	1	10/09/2020	ISSUING INFO		
33	1	10/09/2020	ISSUING INFO		
34	1	10/09/2020	ISSUING INFO		
35	1	10/09/2020	ISSUING INFO		
36	1	10/09/2020	ISSUING INFO		
37	1	10/09/2020	ISSUING INFO		
38	1	10/09/2020	ISSUING INFO		
39	1	10/09/2020	ISSUING INFO		
40	1	10/09/2020	ISSUING INFO		
41	1	10/09/2020	ISSUING INFO		
42	1	10/09/2020	ISSUING INFO		
43	1	10/09/2020	ISSUING INFO		
44	1	10/09/2020	ISSUING INFO		
45	1	10/09/2020	ISSUING INFO		
46	1	10/09/2020	ISSUING INFO		
47	1	10/09/2020	ISSUING INFO		
48	1	10/09/2020	ISSUING INFO		
49	1	10/09/2020	ISSUING INFO		
50	1	10/09/2020	ISSUING INFO		
51	1	10/09/2020	ISSUING INFO		
52	1	10/09/2020	ISSUING INFO		
53	1	10/09/2020	ISSUING INFO		
54	1	10/09/2020	ISSUING INFO		
55	1	10/09/2020	ISSUING INFO		
56	1	10/09/2020	ISSUING INFO		
57	1	10/09/2020	ISSUING INFO		
58	1	10/09/2020	ISSUING INFO		
59	1	10/09/2020	ISSUING INFO		
60	1	10/09/2020	ISSUING INFO		
61	1	10/09/2020	ISSUING INFO		
62	1	10/09/2020	ISSUING INFO		
63	1	10/09/2020	ISSUING INFO		
64	1	10/09/2020	ISSUING INFO		
65	1	10/09/2020	ISSUING INFO		
66	1	10/09/2020	ISSUING INFO		
67	1	10/09/2020	ISSUING INFO		
68	1	10/09/2020	ISSUING INFO		
69	1	10/09/2020	ISSUING INFO		
70	1	10/09/2020	ISSUING INFO		
71	1	10/09/2020	ISSUING INFO		
72	1	10/09/2020	ISSUING INFO		
73	1	10/09/2020	ISSUING INFO		
74	1	10/09/2020	ISSUING INFO		
75	1	10/09/2020	ISSUING INFO		
76	1	10/09/2020	ISSUING INFO		
77	1	10/09/2020	ISSUING INFO		
78	1	10/09/2020	ISSUING INFO		
79	1	10/09/2020	ISSUING INFO		
80	1	10/09/2020	ISSUING INFO		
81	1	10/09/2020	ISSUING INFO		
82	1	10/09/2020	ISSUING INFO		
83	1	10/09/2020	ISSUING INFO		
84	1	10/09/2020	ISSUING INFO		
85	1	10/09/2020	ISSUING INFO		
86	1	10/09/2020	ISSUING INFO		
87	1	10/09/2020	ISSUING INFO		
88	1	10/09/2020	ISSUING INFO		
89	1	10/09/2020	ISSUING INFO		
90	1	10/09/2020	ISSUING INFO		
91	1	10/09/2020	ISSUING INFO		
92	1	10/09/2020	ISSUING INFO		
93	1	10/09/2020	ISSUING INFO		
94	1	10/09/2020	ISSUING INFO		
95	1	10/09/2020	ISSUING INFO		
96	1	10/09/2020	ISSUING INFO		
97	1	10/09/2020	ISSUING INFO		
98	1	10/09/2020	ISSUING INFO		
99	1	10/09/2020	ISSUING INFO		
100	1	10/09/2020	ISSUING INFO		

Weight Oddy
 TYP00002/FC9898-A
 FORM NO. 43H